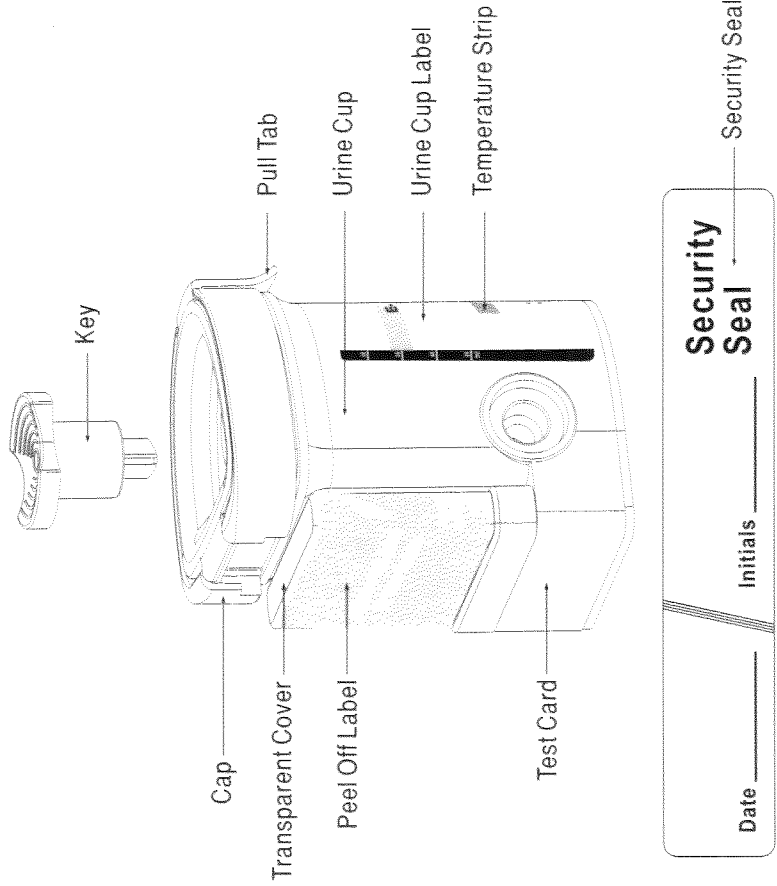
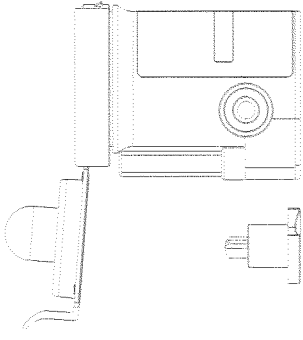


INTEGRATED E-Z SPLIT KEY™ CUP II Procedure Card

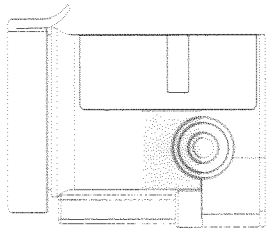
Available with Specimen Validity Tests (S.V.T.)



1 Remove the key by twisting it from the center of the cup cap. Open cap with the Pull Tab. (Key is held by technician.)

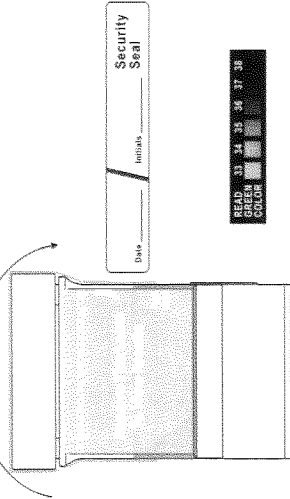


2 Donor provides specimen and secures cap. Note: Secure cap by pressing down on the Pull Tab until an audible click is heard.

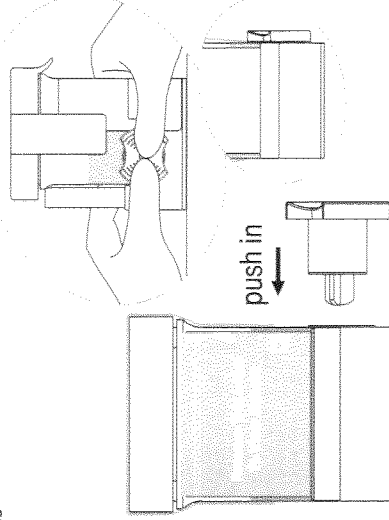


3 Technician reads green color on the Temperature Strip up to 4 min. after specimen collection. Proper range is 33-38°C. Technician checks Cap for a tight seal, dates and initials the Security Seal Label, and places it over the Cap.

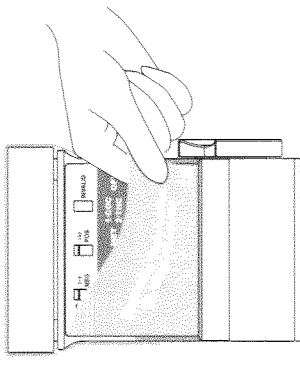
Place security seal over cup



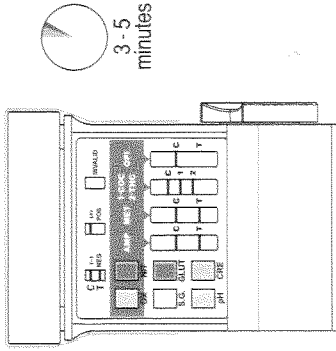
4 On a flat surface, technician inserts key and pushes in.



5 Peel off the label to view results.

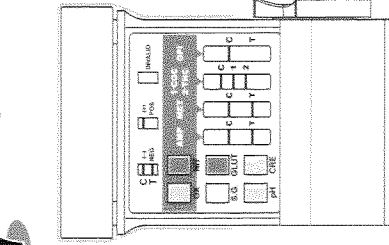


6 If the test cup includes S.V.T., read adulteration test results between 3 - 5 minutes.



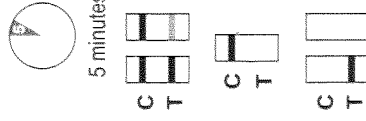
Adulteration Strips
See color chart and package insert for interpretation.

7 Read drug test results at 5 minutes.



Example: Test shows positive for OPI.

8 A photocopy of the drug test results can be made by placing the entire cup with the card face down on the copier.



All positive results are presumptive and should be confirmed by an alternative method. (e.g. GC/MS)

